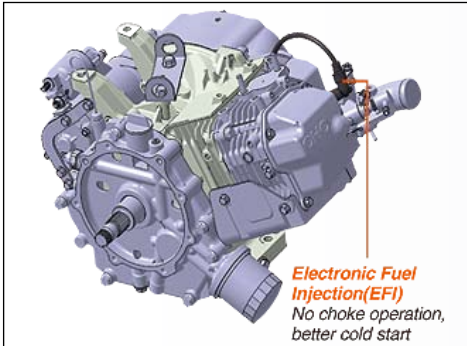


RTV

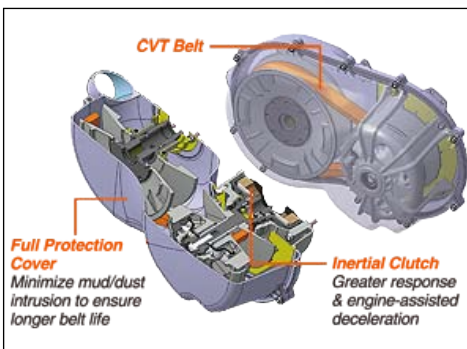
RTV400Ci

FEATURES



Air-cooled EFI Gasoline Engine

The RTV400Ci incorporates a new, high-revving 16HP Air-cooled, single-cylinder gasoline engine that was selected to meet Kubota's stringent performance specifications and durability requirements. This engine also features an electronic fuel injection (EFI) system that helps eliminate cold starting issues and annoying manual choke adjustments that plague competitors' carbureted utility vehicles.



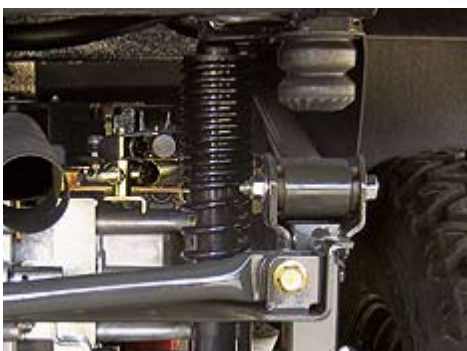
Continuously Variable Transmission (CVT Plus) with Inertial Clutch

The RTV400Ci's newly designed CVT Plus is virtually worry free. The exclusive Inertial Clutch keeps the thick, double cogged-belts tight for minimal slippage, resulting in greater response and much better durability than the competitors' belt-drive systems. As an additional Plus, the Inertial Clutch provides noticeable dynamic braking to help maintain control during descents with engine-assisted deceleration. And for more Plus, CVT Plus has a full protection cover to minimize mud or dust intrusion, enhancing durability and enabling a longer belt life.

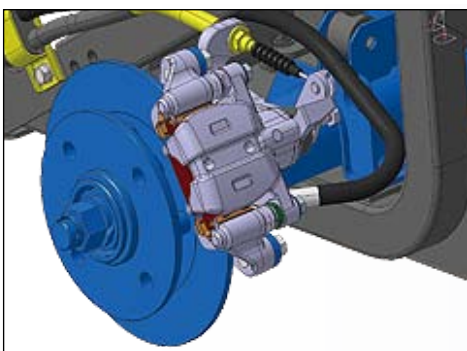


Comfortable Operator Area

Get in and get going. The RTV400Ci features ergonomic, well-placed controls for easy operation, and a comfortable seat, so both the driver and passenger can enjoy a full day of work or play without fatigue. The low operator platform offers ample and obstacle-free legroom, so it's simple to step on or off.



Robust, Reliable Semi-independent Rear Suspension



4-wheel disc brakes

RTV

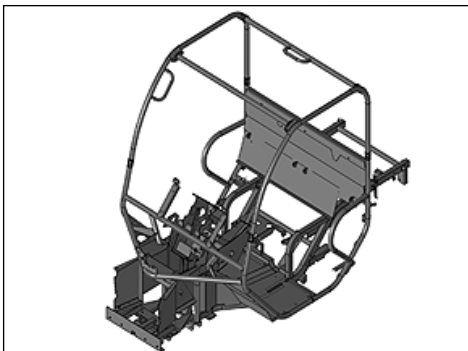
RTV400Ci

FEATURES



Dumping cargo bed

Use the RTV400Ci's cargo bed to haul up to 441lbs of dirt, gravel, rocks, hay or whatever will fit. The bed also manually tilts up to make dumping or unloading your cargo easy.



Standard Frame-integrated ROPS

Meets OSHA 1928.53 Rollover Protection Standards.



Front Guard (Optional)

A silver front guard is available as an option.